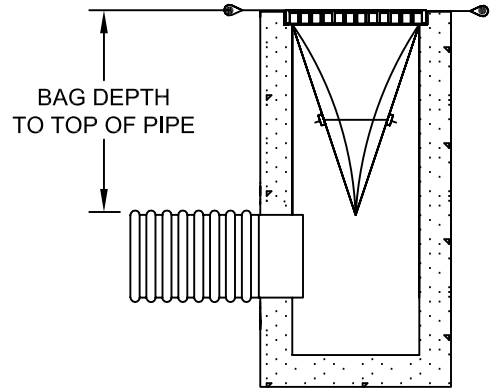
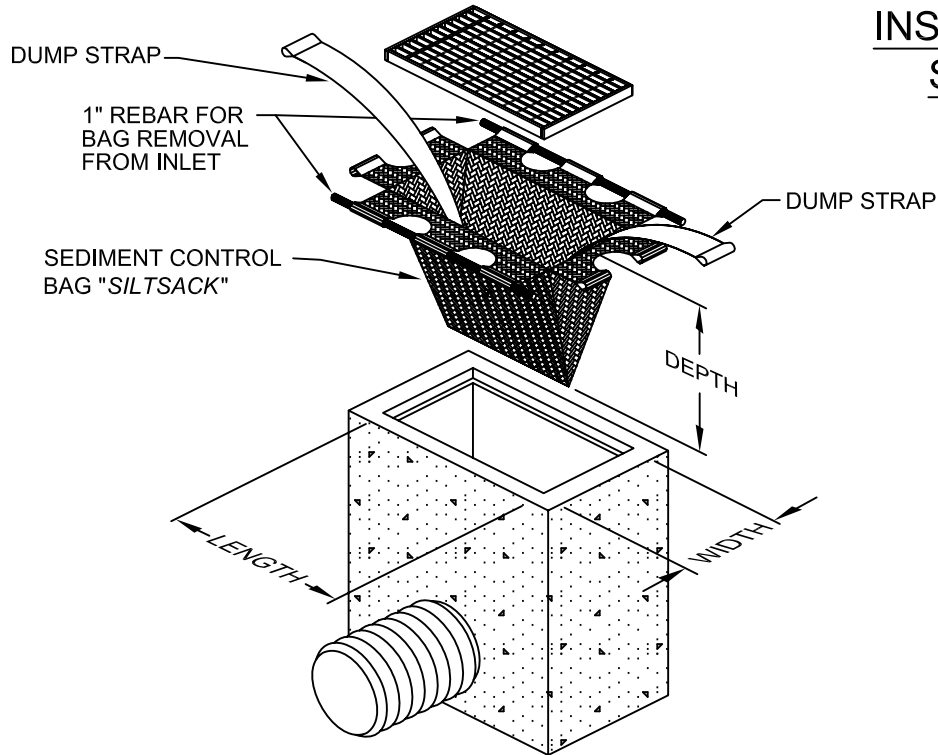


BAG SECTION



INSTALLATION  
SECTION



3-D VIEW

**NOTE:**

1. The dimension chart above is for standard catch basins and inlets only. The contractor is responsible for providing the correct size device for each inlet.
2. For non-Clean Water Services Standard catch basins and inlets, the contractor shall measure dimensions in the field and order the appropriate size(s).
3. The inlet sediment control device shall be of high flow design (200 gal / min / ft<sup>2</sup>), as per the manufacturer's specifications.
4. The sediment control device shall be inspected daily by the contractor and maintained a minimum once per month or within the 48 hours following a storm event.
5. Substitution of a sheet of filter fabric placed over the opening of the inlet is not approved.



City Of Beaverton

PUBLIC WORKS  
DEPARTMENT

INLET SEDIMENT  
CONTROL DEVICE

CITY ENGINEER  
Terry Waldele, P.E.

DATE  
6 - 28 - 06

DRAWN BY  
JR - CPD

DRAWING NO.  
145