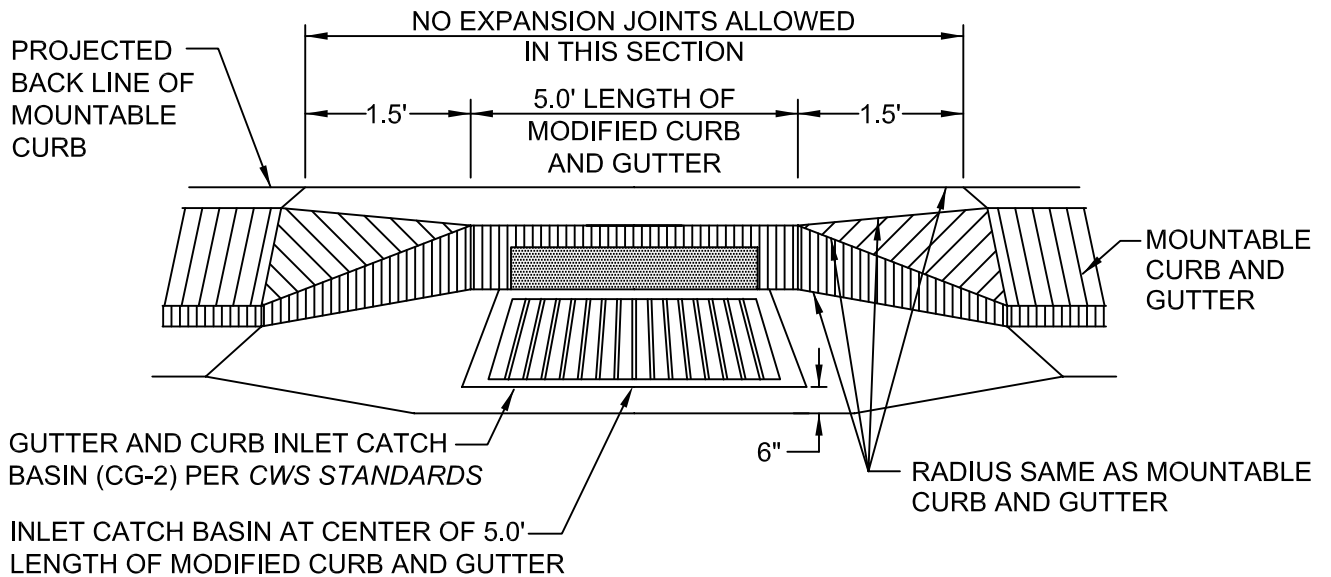


**VAULT DRAIN WEEPHOLE FRONT VIEW**



**INLET CATCH BASIN FRONT VIEW**

**NOTES:**

1. Mountable curb and gutter **REQUIRES PREAPPROVAL** by the City Engineer.
2. This drainage weep hole to be used only with gravity vault drains.
3. Concrete to have compressive strength of 4,000 psi at 28 days.
4. Drainage weep hole shall be 3 inch diameter ID plastic pipe with coupling and beveled outlet end to match face of curb.
5. Modified standard curb and gutter to be same as standard curb and gutter except for gutter width shown.



City Of Beaverton

**PUBLIC WORKS  
DEPARTMENT**

**MOUNTABLE CURB AND GUTTER  
AT VAULT DRAIN WEEPHOLE  
AND INLET CATCH BASIN**

CITY ENGINEER  
Terry Waldele, P.E.

DATE  
2 - 07 - 07

DRAWN BY  
JCH - CPD

DRAWING NO.  
202