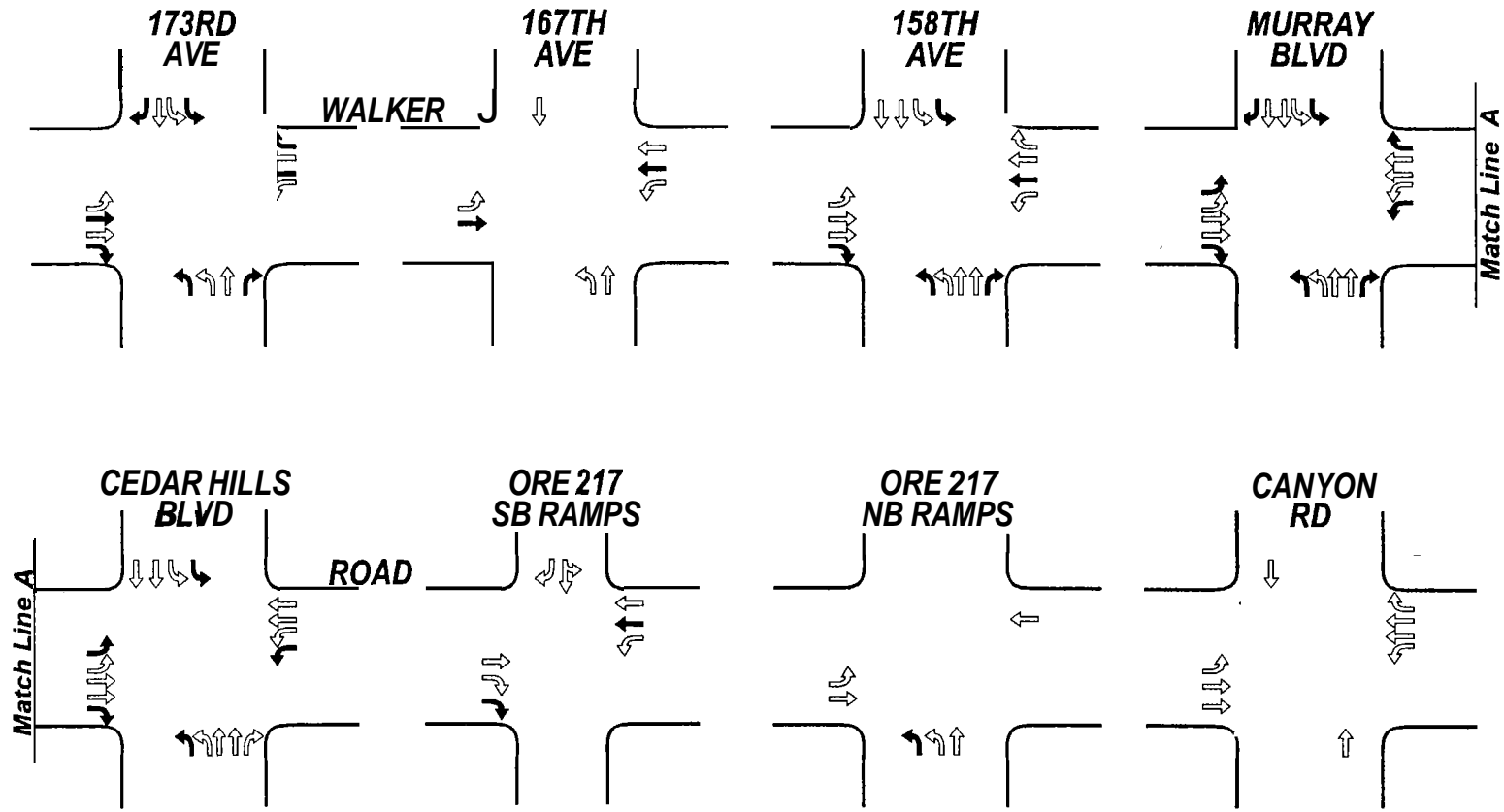


APPENDIX H
INTERSECTION IMPROVEMENT GRAPHICS



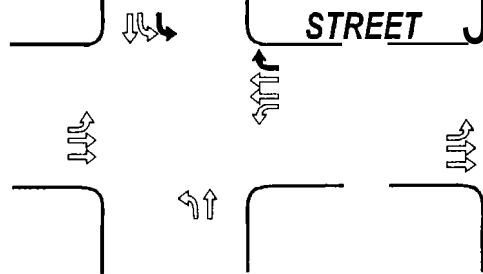
LEGEND

- ← - Existing Lane Configuration
- - - Proposed Lane Configuration

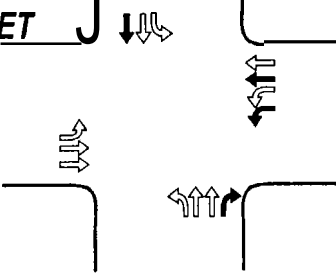
**WALKER ROAD
EXISTING/PROPOSED LANE CONFIGURATION**



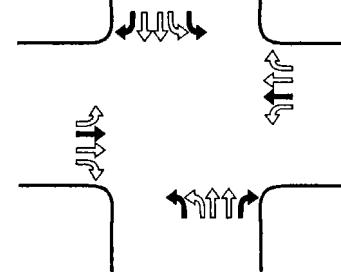
**BASELINE RD/JENKINS RD/
170TH AVE**



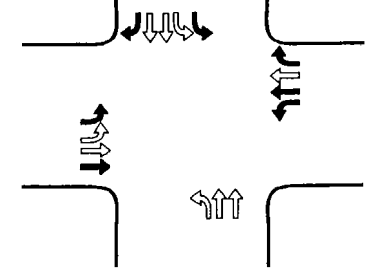
**JENKINS RD/
158TH AVE**



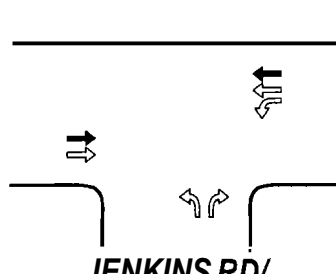
**JENKINS RD/
MURRAY BLVD**



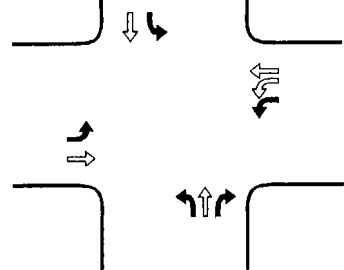
**JENKINS RD/
CEDAR HILLS BLVD**



**JENKINS RD/
153RD AVE**



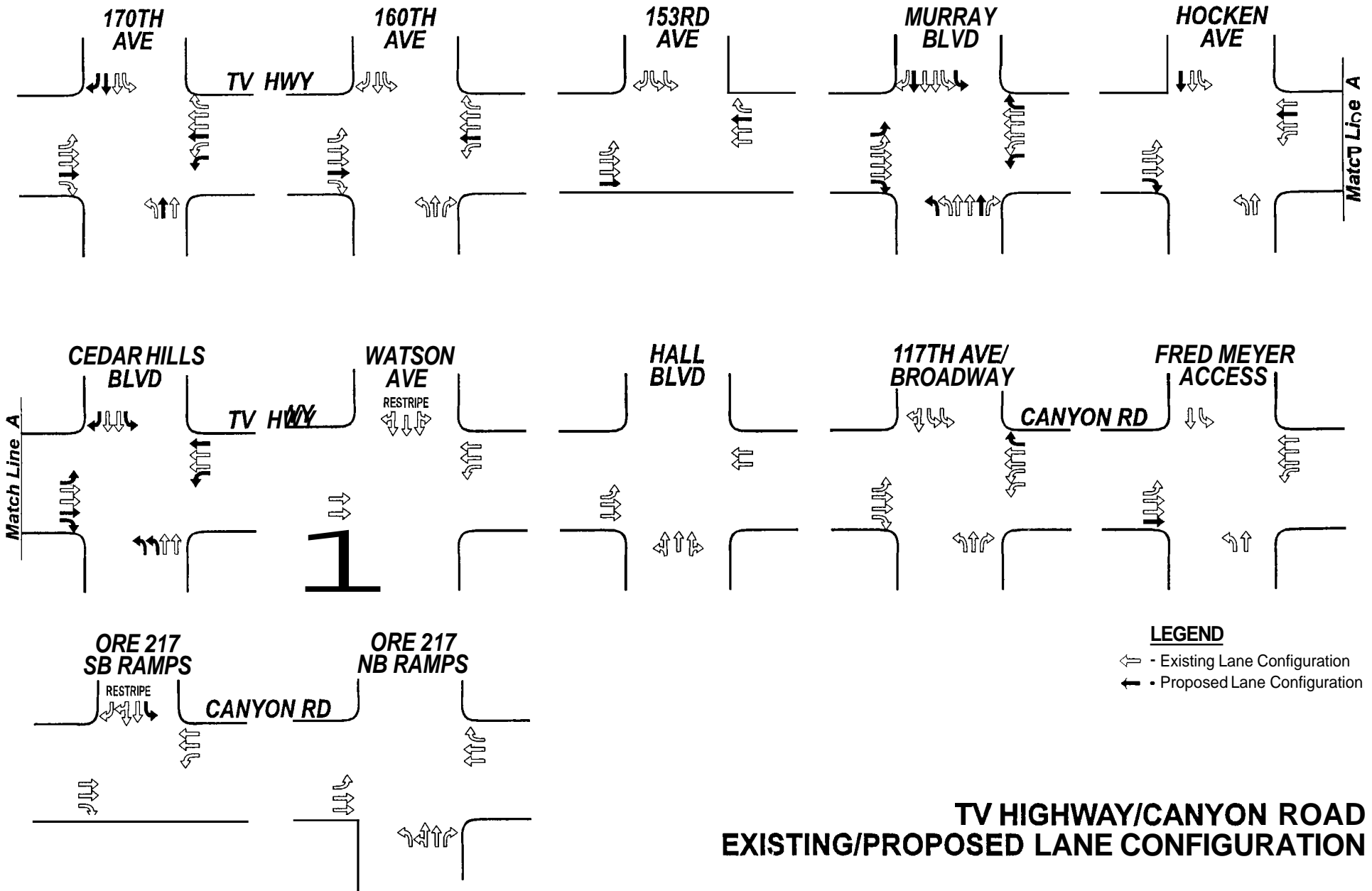
**MERLO RD/
170TH AVE**

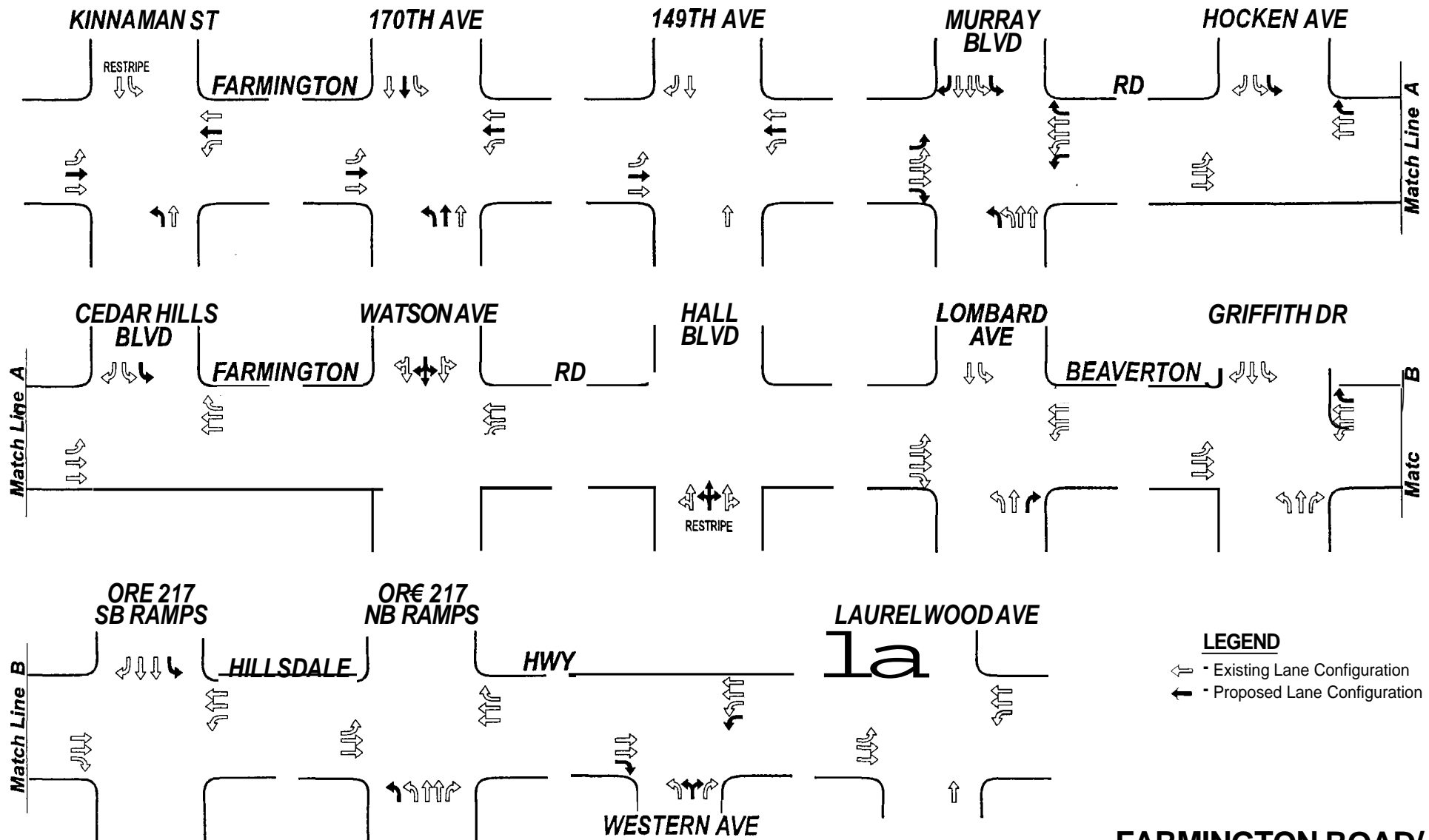


LEGEND

- ⇐ - Existing Lane Configuration
- - Proposed Lane Configuration

**JENKINS ROAD/MERLO ROAD
EXISTING/PROPOSED LANE CONFIGURATION**

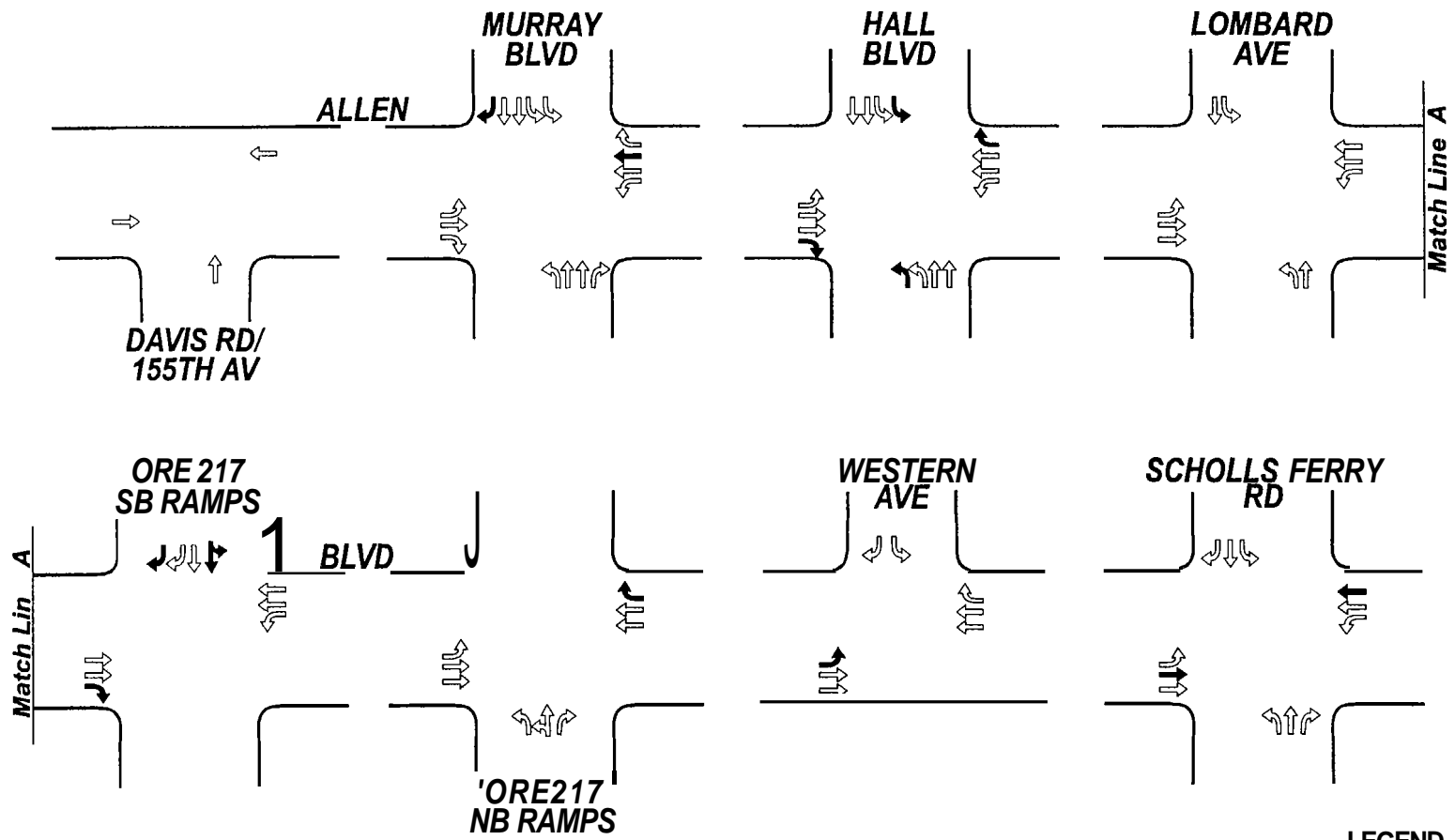




LEGEND

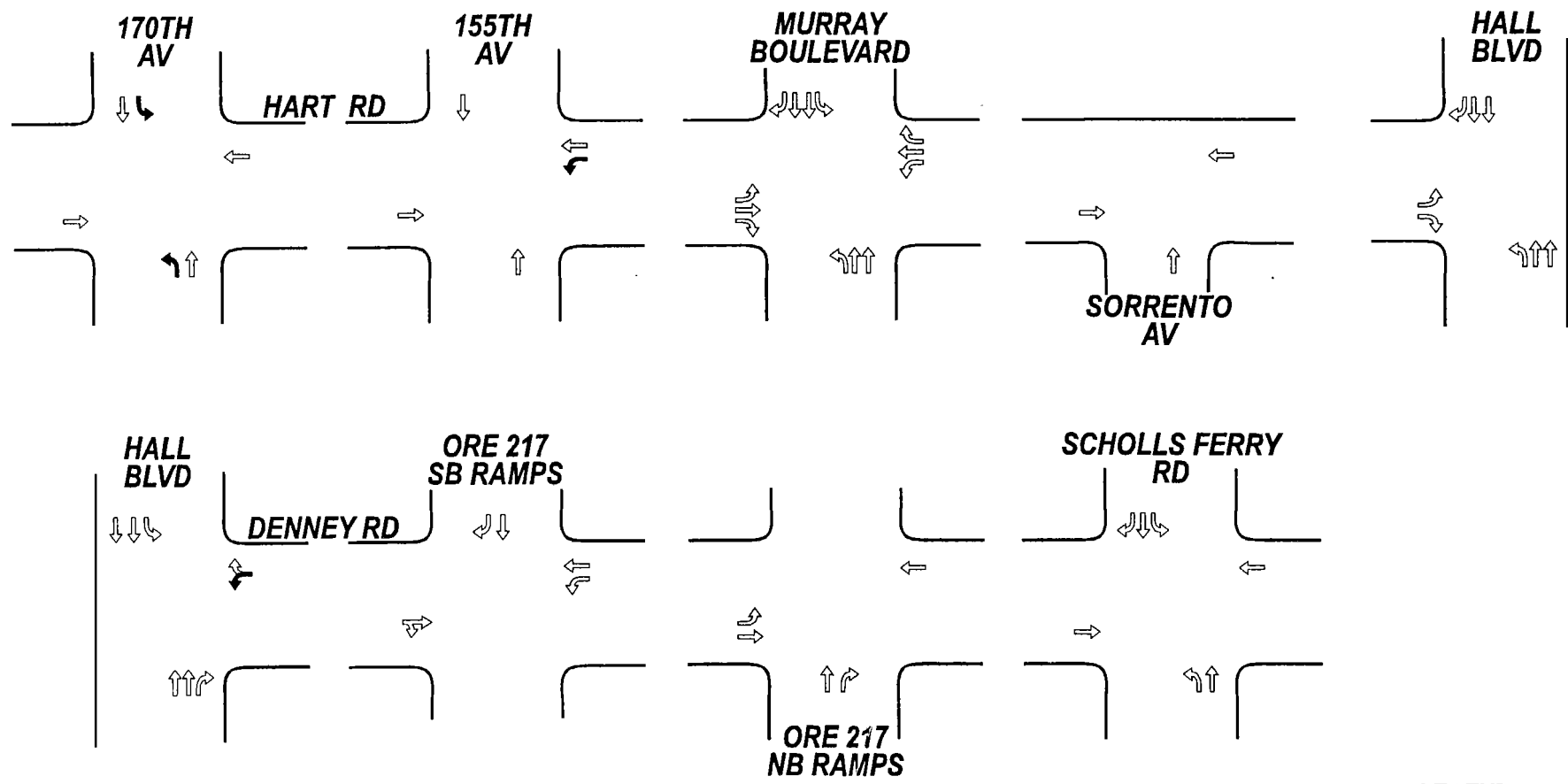
- ← Existing Lane Configuration
- Proposed Lane Configuration

**FARMINGTON ROAD/
BEAVERTON HILLSDALE HWY.
EXISTING/PROPOSED LANE CONFIGURATION**



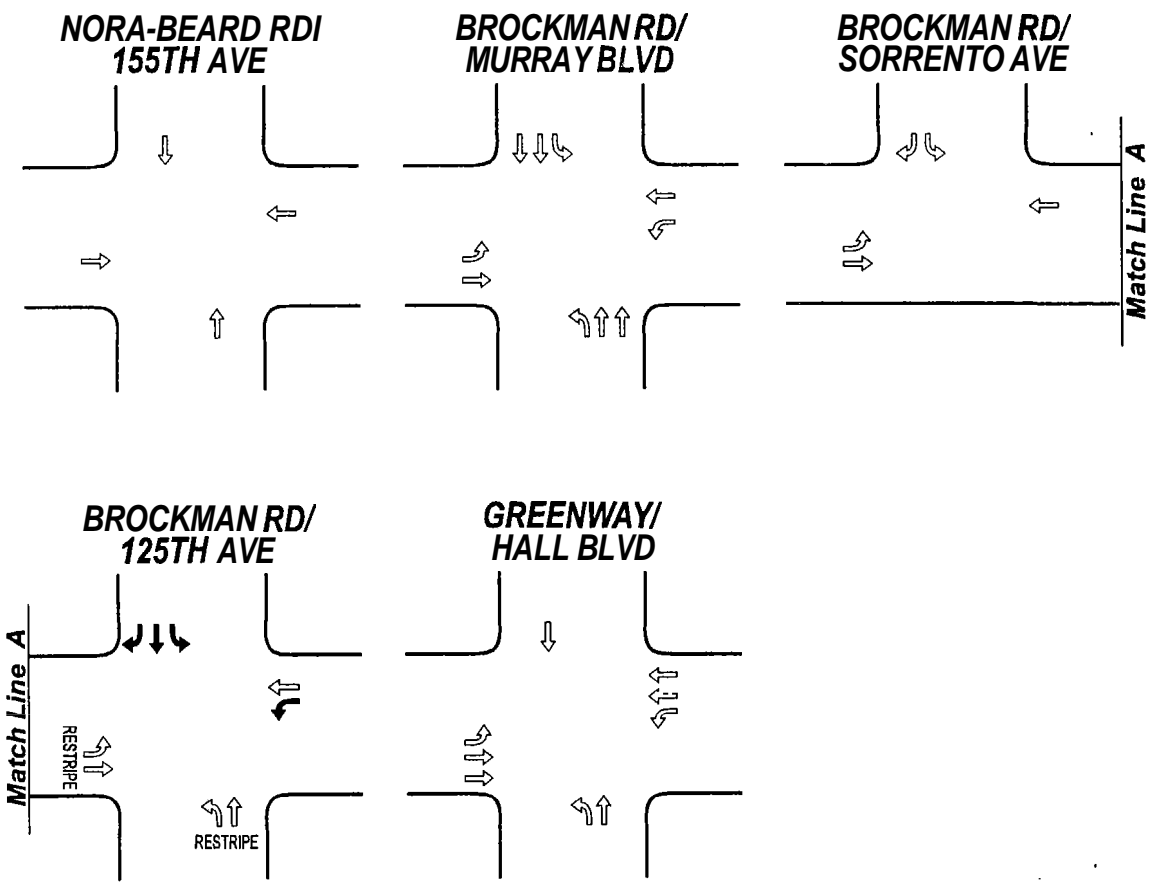
LEGEND
 ↔ Existing Lane Configuration
 - - - - - Proposed Lane Configuration

**ALLEN BOULEVARD
EXISTING/PROPOSED LANE CONFIGURATION**



LEGEND
 ⇌ - Existing Lane Configuration
 ⇌ - Proposed Lane Configuration

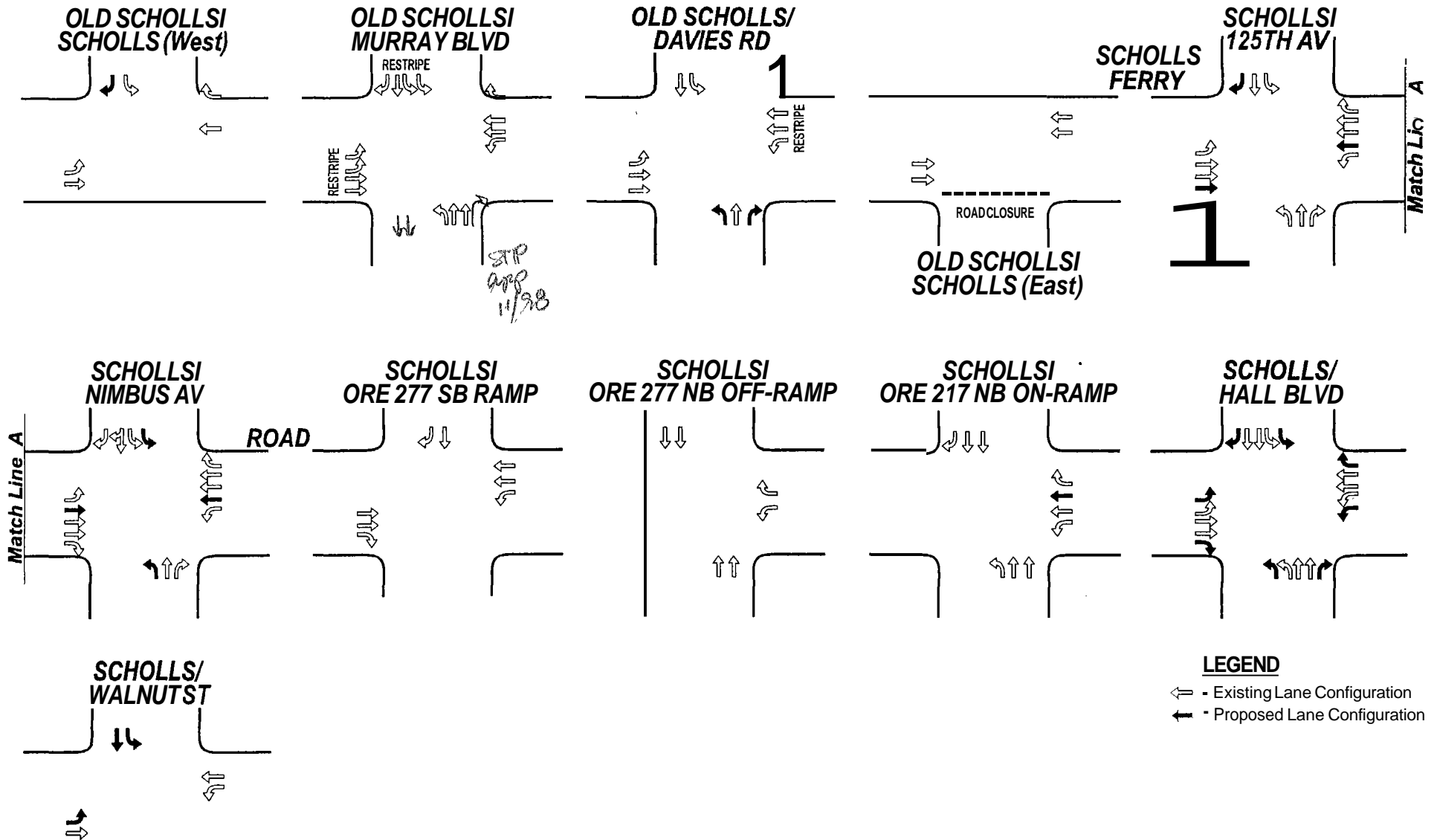
**HART/DENNEY ROAD
EXISTING/PROPOSED LANE CONFIGURATION**



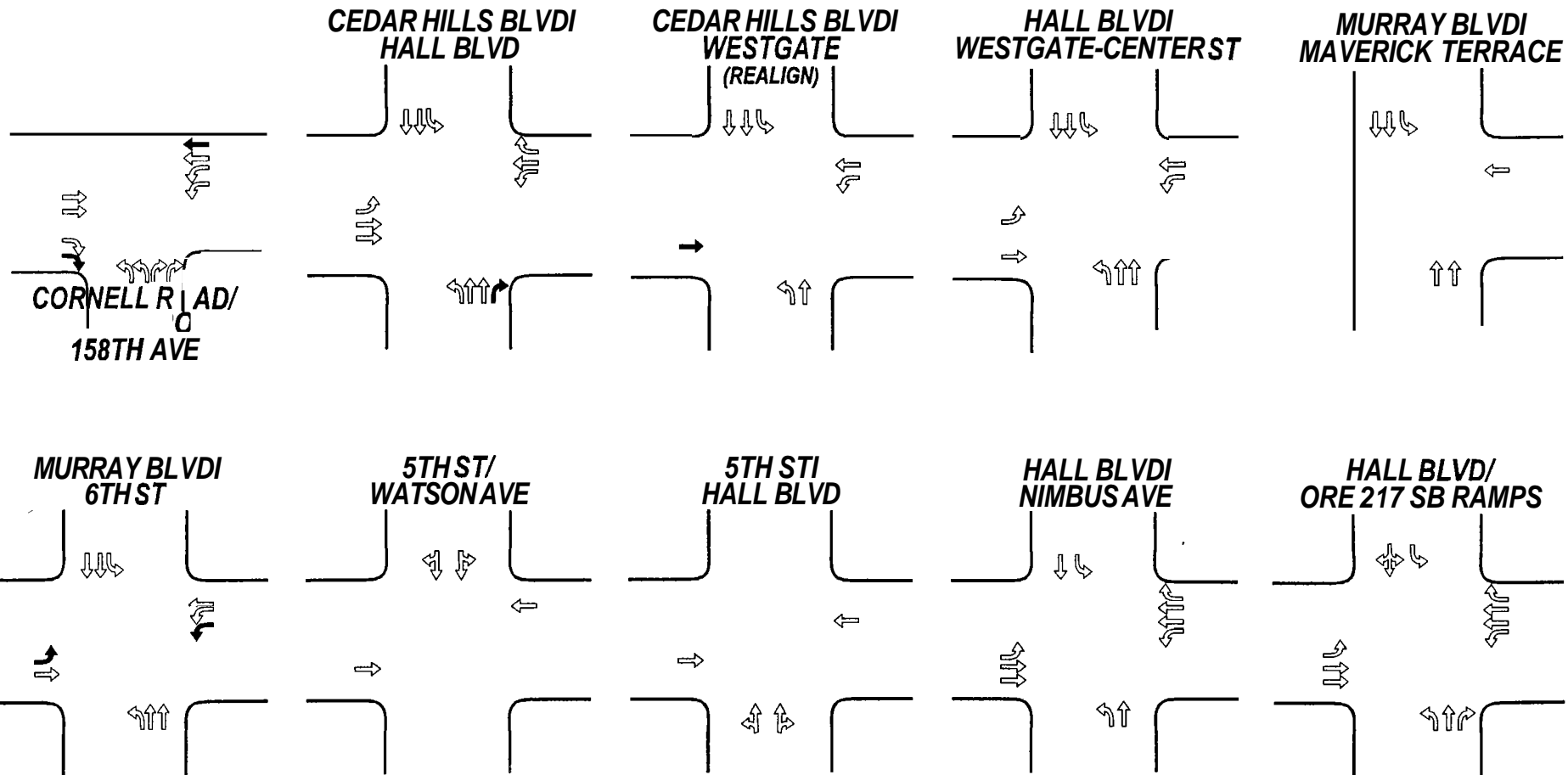
LEGEND

- ↔ - Existing Lane configuration
- - Proposed Lane Configuration

**NORA BEARD ROAD/BROCKMAN ROAD/GREENWAY
EXISTING/PROPOSED LANE CONFIGURATION**



**SCHOLLS FERRY ROAD
EXISTING/PROPOSED LANE CONFIGURATION**



LEGEND

- ⇐ - Existing Lane Configuration
- - Proposed Lane Configuration

**OTHER INTERSECTIONS
EXISTING/PROPOSED LANE CONFIGURATION**